

## AP 3-TU

Order No.: 5022656



<http://eshop.phoenixcontact.de/phoenix/treeViewClick.do?UID=5022656>

Cover profile, for mounting on NS 32 or NS 35/7.5 mounting rail, for fixing the cover profile AP, 2 mm thick

### Commercial data

EAN	4017918095253
Pack	50 Pcs.
Customs tariff	39169013
Weight/Piece	0.009444 KG
Catalog page information	Page 518 (CL-2007)

### Product notes

WEEE/RoHS-compliant since:  
01/01/2003



<http://www.download.phoenixcontact.com>  
Please note that the data given here has been taken from the online catalog. For comprehensive information and data, please refer to the user documentation. The General Terms and Conditions of Use apply to Internet downloads.

### Technical data

#### General

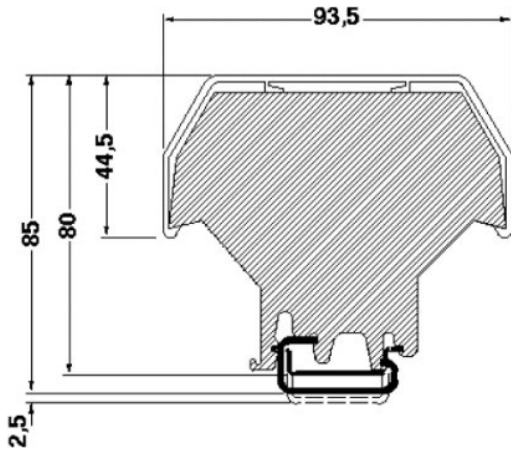
Length	93.5 mm
Height	80 mm
Width	2 mm
Color	gray
Inflammability class acc. to UL 94	V2

Material

PA

**Drawings**

Dimensioned drawing



**Address**

PHOENIX CONTACT Inc., USA  
586 Fulling Mill Road  
Middletown, PA 17057, USA  
Phone (800) 888-7388  
Fax (717) 944-1625  
<http://www.phoenixcon.com>



© 2008 Phoenix Contact  
Technical modifications reserved;